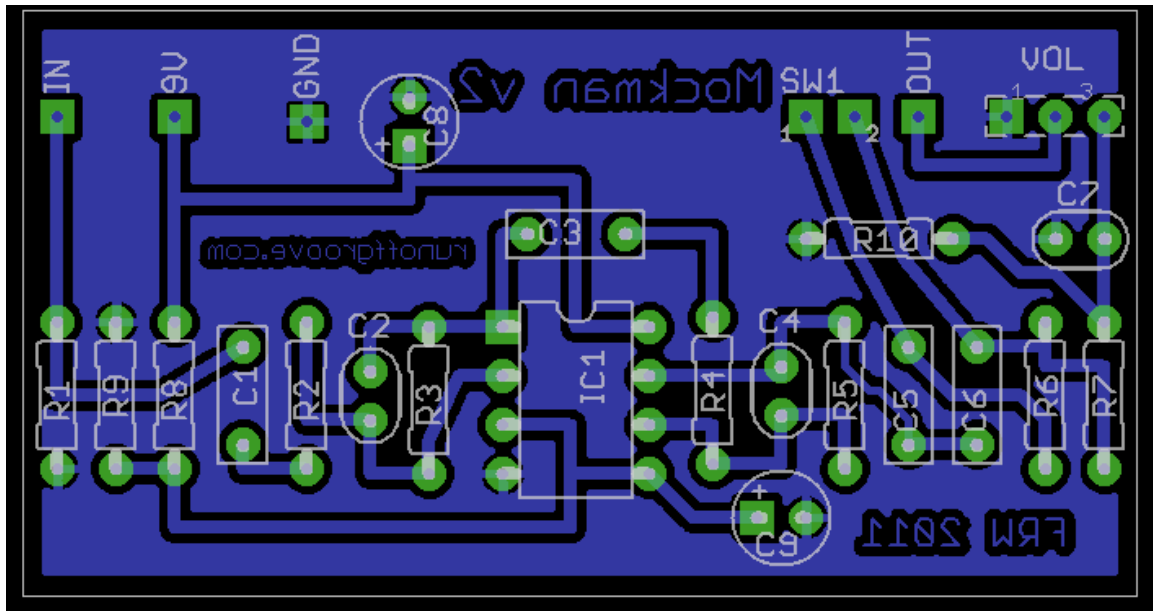


Mockman 2.0 - by runoffgroove.com

FRW - February 2011

This is the runoffgroove.com Mockman 2.0 project. It is inspired by the old Scholz Rockman headphone amp from the 1980s. Please see www.runoffgroove.com for more details.

PCB dimensions are (approximately): 2.25" wide x 1.10" high (it will fit in a 125B). Print the transfers at 600dpi for proper sizing.



R1	1M	C1	10n	IC1	4558
R2	10K	C2	47p	VOL	A100K
R3	1M	C3	10n		
R4	10K	C4	47p		
R5	1M	C5	47n		
R6	1M	C6	6n8		
R7	100K	C7	470p		
R8	22K	C8	100 μ F		
R9	22K	C9	10 μ F		
R10	100K				

NOTES:

- If you find the Classic/Modern switch does not produce a significant change in tone, lower C6 to 4n7 or 3n3.
- The original schematic calls for A50K for VOL, but this version has R10 in parallel with the pot, allowing for the use of a more standard A100K pot. If you plan to use A50K, omit R10.
- IC1 can be just about any dual op amp.
- For a little more gain, try lowering the value of R2 to 6K8 or 4K7. You could also try lowering the value of R4.

Mockman U2 Circuit design by runoffgroove.com

